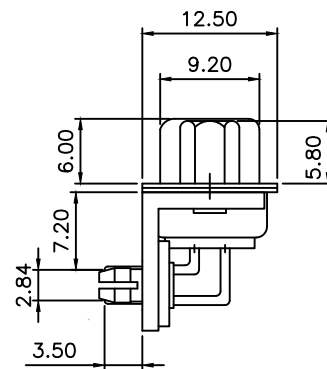


RECOMMENDED P.C.B LAYOUT (TOP VIEW)  
TOLERANCES: ±0.10mm



SPECIFICATION

MATERIAL

Insulator: PBT & GLASS FILL REINFORCED UL-94V-0

Contacts: Brass

Shell: Steel

Rivet, Boardlock: Copper alloy

CONTACT PLATING

Gold flash

ELECTRICAL

Operation voltage: 250 VAC max.

Current rating: 3 Amps max.

Contact resistance: 15 mohms max.

Insulation resistance: 3000 Mohms min @ 500 VDC

Dielectric withstanding voltage: 1000 VAC / minute

Operating temperature: -55°C TO +105°C

Part no.

207 A E 37 M G P D L A 1  
1 2 3 4 5 6 7 8 9 10 11

1. SERIES NO.

207 = D-SUB 7.2mmPCB  
RIGHT ANGLE MACHINED PIN  
(D-SUB, 90度PC板型, 車針)

2. TYPE: A = Standard

3. ENVIRONMENT PROTECTION  
MATERIA

E = ROHS環保料件

4. CONTACT NUMBER:

37 = 37 PIN

5. CONTACT TYPE:

M = MALE (公)

6. CONTACT AREA PLATING:

G = Gold Flash(全金G/F)

R = 3U" Gold(全金3U")

A = 5U" Gold(全金5U")

C = 15U" Gold(全金15U")

D = 30U" Gold(全金30U")

7. SHELL PLATING:

P = TIN+DIMPLE (鍍錫壓花)

8. BRACKET OPTION

D = HARDWARE/BRACKET W/BOARD  
(有鐵支架, 有檔板)

9. RIVET & BOARDLOCK OPTION

L = 5.8mm OPEN HEN RIVET FRONT  
W/4-PRONG BOARDLOCK  
(5.8mm穿孔卯釘, 卯前殼, 四爪Z片)

10. PARTS OPTION

A = NON ACCESSORIES(無附件)

11. INSULATOR COLOR

1 = WHITE (白色)

2 = BLUE (藍色)

3 = BLACK (黑色)

|                                      |          |  |
|--------------------------------------|----------|--|
| UNLESS OTHERWISE SPECIFIED TOLERANCE |          | 亮泰 (中国) 有限公司   |
| ANG.                                 | ±5°      |  |
| 0.                                   | ±0.5     |  |
| .0                                   | ±0.3     |  |
| .00                                  | ±0.2     |  |
| SCALE:                               | AS SHOWN | UNIT: mm   |
| DRAWN                                | AVA      | 07/10/04   |
| CHECKED                              | WAN      | 07/10/04   |
| APPROVED                             | CHEN     | 07/10/04   |
| DRAWN NAME:                          |          | D-SUB PCB RIGHT ANGLE MACHINED(D-SUB, 90度插板), 全金 37PIN, MALE(公), 7.2mm車針, 鐵支架, 有檔板, 5.8mm穿孔卯釘, 卯前殼, 四爪Z片 |
| PRODUCT NO.                          |          | 207AE37MGPDLA1   |
| FILE NAME:                           |          | 207AE37MGPDLA1   |

|      |                       |          |      |      |
|------|-----------------------|----------|------|------|
| REV. | DESCRIPTION           | DATE     | SIZE | REV. |
| A    | ECN-20040710001(TONY) | 07/10/04 | A4   | A    |
| 1    |                       |          |      |      |
| 2    |                       |          |      |      |
| 3    |                       |          |      |      |
| 4    |                       |          |      |      |
| 5    |                       |          |      |      |
| 6    |                       |          |      |      |
| 7    |                       |          |      |      |
| 8    |                       |          |      |      |
| 9    |                       |          |      |      |
| 10   |                       |          |      |      |