

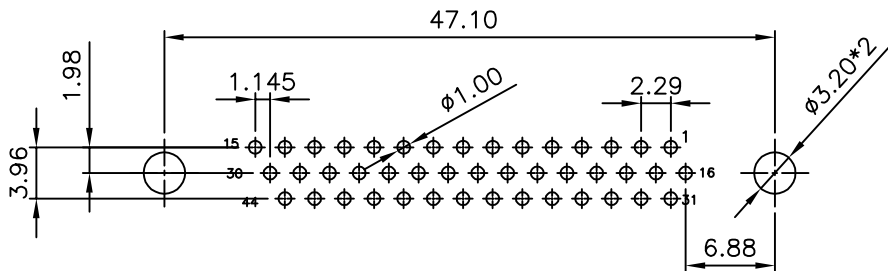
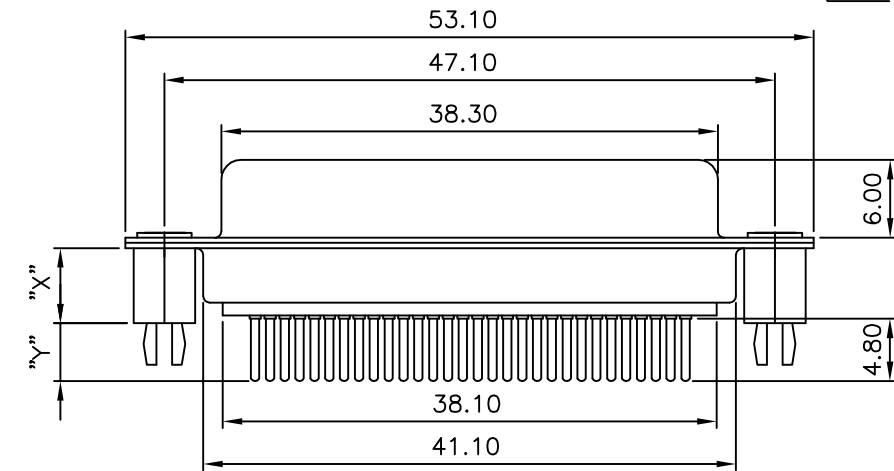
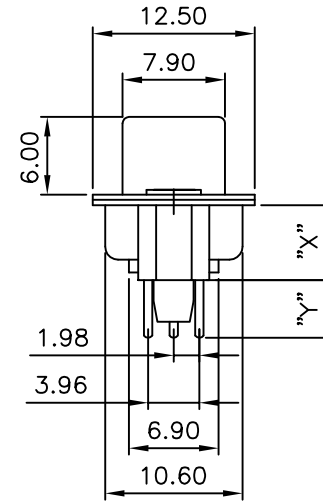
SPECIFICATION

MATERIAL
 Insulator: PBT, rated UL94V-0
 Contacts: Brass (standard)
 Shell: Steel
 Rivet, Boardlock: Copper alloy
 CONTACT PLATING
 Underplate: 40u" Nickel
 Contact area: 1u"~30u" selective gold
 Solder tails area: 100u" Tin/Lead
 ELECTRICAL
 Operation Voltage: 250 VAC max.
 Current rating: 3 Amps max.
 Contact resistance: 15 mohms max @ 500 VDC
 Dielectric withstanding voltage: 1000 VAC / minute
 Operating temperature: -55°C to +105°C
 Part no.

104 A E 44 F G I H E A 1
 1 2 3 4 5 6 7 8 9 10 11

- SERIES NO.
104 = D-SUB HIGH DENSITY PCB STRAIGHT MACHINED PIN (D-SUB 高密度 180度 PCB 直針)
- TYPE: A = Standard
- ENVIRONMENT PROTECTION MATERIAL:
E = RoHS 環保材料
- CONTACT NUMBER:
44 = 44 PIN
- CONTACT TYPE:
F = FEMALE (母)
- CONTACT AREA PLATING:
G = GOLD FLASH (全金)
R = 3"u GOLD (全金)
A = 5"u GOLD (全金)
C = 15"u GOLD (全金)
D = 30"u GOLD (全金)
- SHELL PLATING:
T = TIN (鍍錫)
- PROCESS OPTION: DIM "X" & "Y"
H = 6.0mm Boardlock rivet (6.0mm 180度(Z) 卯釘)
FOR 4.80mm (X = 6.00 mm, Y = 4.00mm)
I = 7.0mm Boardlock rivet (7.0mm 180度(Z) 卯釘)
FOR 4.80mm (X = 7.00 mm, Y = 3.00mm)
- PARTS OPTION
E = REAR Rivet (卯後螺絲, 無附件螺絲)
F = REAR Rivet+Loose screws (卯後螺絲, 附5.0*10.0螺絲)
H = REAR Rivet+Loose screws (卯後螺絲, 附4.8*11.8螺絲)
J = REAR Rivet+Loose screws (卯後螺絲, 附5.8*12.0螺絲)
G = REAR Rivet+Fixed HEX-screws (卯後螺絲, 附5.0*10.0螺絲)
I = REAR Rivet+Fixed HEX-screws (卯後螺絲, 附4.8*11.8螺絲)
K = REAR Rivet+Fixed HEX-screws (卯後螺絲, 附5.8*12.0螺絲)
- CONTACT INSERTING OPTION
A = Fully loaded (滿針)
- INSULATOR COLOR
1 = WHITE (白色)
2 = BLUE (藍色)
3 = BLACK (黑色)

UNC 4#40*2



RECOMMENDED P.C.B LAYOUT (TOP VIEW)
 TOLERANCES: ±0.10mm

UNLESS OTHERWISE SPECIFIED TOLERANCE	
ANG.	±5°
0.	±0.5
.0	±0.3
.00	±0.2

亮泰 (中国) 有限公司
 Lightany (China) Co., Ltd.

SCALE: As show	UNIT: mm
DRAWN AVA	07/07/04
CHECKED JUDY	07/07/04
APPROVED TONY	07/07/04

DRAWN NAME:
 D-SUB HDD PCB STRAIGHT MACHINED (高密度180度插板 直針)
 44PIN, FEMALE (母), 全金G/F, 6.0mm(Z) 卯釘, 卯後殼
 PRODUCT NO. 104AE44FGTHEA1
 FILE NAME: 104AE44FGTHEA1

REV.	DESCRIPTION	DATE	SIZE A4	REV. A
A	ECN-20040707001(TONY)	07/07/04		