

parts no.	DIM. a	DIM. b	inner thread
C	4.8	11.8	4#40
E	5.8	12.0	4#40

SPECIFICATION

MATERIAL
 Insulator: PBT, rated UL94V-0
 Contacts: Brass
 Shell: Steel
 Rivet, Boardlock: Copper alloy
CONTACT PLATING
 Contact area: 1u"~30u" gold
ELECTRICAL
 Operation voltage: 250 VAC max.
 Current rating: 3 Amps max.
 Contact resistance: 15 mohms max.
 Insulation resistance: 3000 Mohms min @ 500 VDC
 Dielectric withstanding voltage: 1000 VAC / minute
 Operating temperature: -55°C TO +105°C
 Part no.

106 A E 62 M G P B B C 1
 1 2 3 4 5 6 7 8 9 10 11

1.SERIES NO.

106 = D-SUB HDD 8.89*2.54mm P.C.B. RIGHT ANGLE (MACHINED PIN)
 (D-SUB高密度 90度PCB 車針)

2.TYPE: A = Standard

3.ENVIRONMENT PROTECTION MATERIAL:

E = RoHS環保材料

4.CONTACT NUMBER:

62 = 62 PIN

5.CONTACT TYPE:

M = MALE(公)

6.CONTACT AREA PLATING:

G = GOLD FLASH (全金)

R = 3"u GOLD (全金)

A = 5"u GOLD (全金)

C = 15"u GOLD (全金)

D = 30"u GOLD (全金)

7.SHELL PLATING:

P = Tin plated+dimple(鍍錫壓花)

8.BRACKET OPTION:

B = PLASTIC/BRACKET (有塑膠腳架)

9.RIVET & BOARDLOCK OPTION

B = FIXED W/BOARDLOCK(直鎖Z片)

C = FIXED L-SHAPE(直鎖L片)

10.PARTS OPTION

C = FIXED SCREWS 4.8*11.8mm (鎖4.8*11.8mm螺絲)

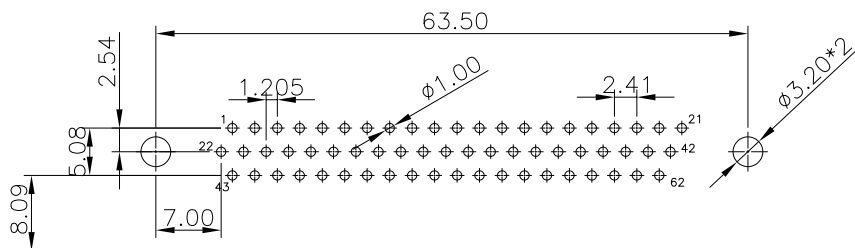
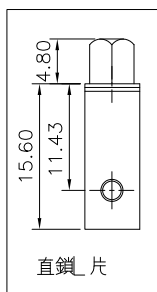
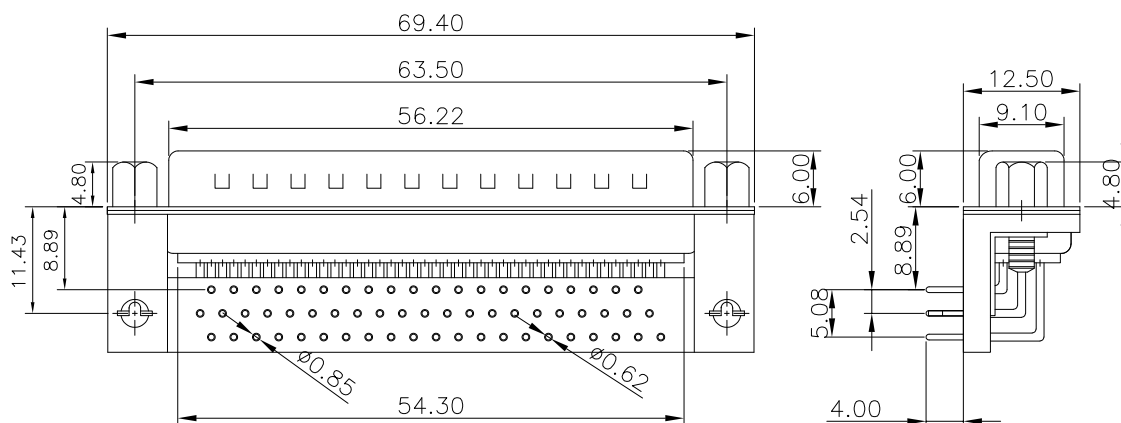
E = FIXED SCREWS 5.8*11.8mm (鎖5.8*11.8mm螺絲)

11.INSULATOR COLOR

1 = WHITE (白色)

2 = BLUE (藍色)

3 = BLACK (黑色)



RECOMMENDED P.C.B. LAYOUT (TOP VIEW)
 TOLERANCES: ±0.10mm

UNLESS OTHERWISE SPECIFIED TOLERANCE	
ANG.	±5°
0.	±0.5
.0	±0.3
.00	±0.2

亮泰 (中国) 有限公司
 Lightany (China) Co., Ltd.

SCALE: As show UNIT: mm

DRAWN AVA 07/07/04

CHECKED WAN 07/07/04

APPROVED CHEN 07/07/04

DRAWN NAME:
 D-SUB HDD: 8.89*2.54mm P.C.B. RIGHT ANGLE 全金
 HDR 8.89*2.54mm 90度車針, 62PIN, MALE(公), 有塑膠脚架, 直锁Z片

PRODUCT NO. 106AE62MGPBBC1

FILE NAME: 106AE62MGPBBC1

REV.	DESCRIPTION	DATE	SIZE	REV.	FILE NAME
A	ECN-20040707001(TONY)	07/07/04	A4	A	106AE62MGPBBC1