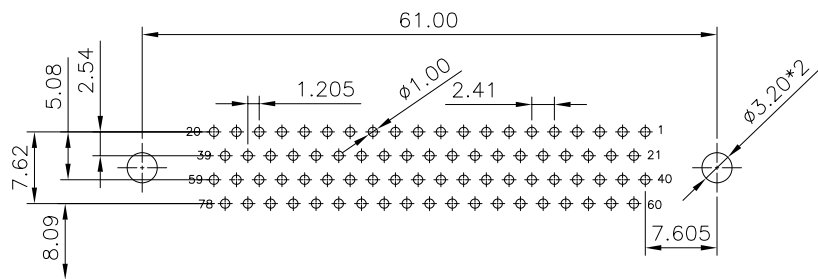
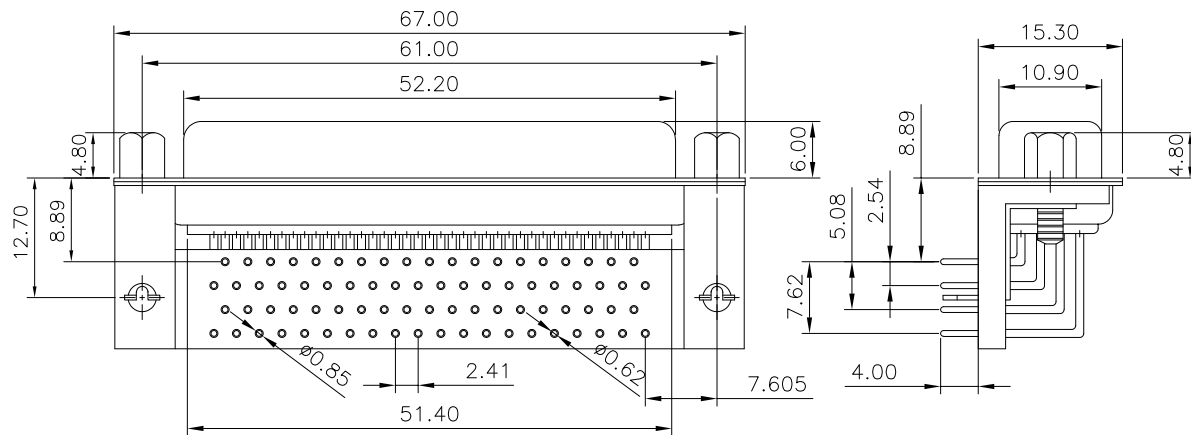
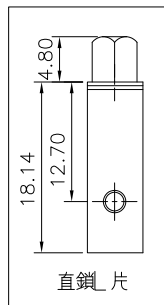


**SPECIFICATION**  
**MATERIAL**  
 Insulator: PBT, rated UL94V-0  
 Contacts: Brass  
 Shell: Steel  
 Rivet, Boardlock: Copper alloy  
**CONTACT PLATING**  
 Contact area: 1u"~30u" gold  
**ELECTRICAL**  
 Operation voltage: 250 VAC max.  
 Current rating: 3 Amps max.  
 Contact resistance: 15 mohms max.  
 Insulation resistance: 3000 Mohms min @ 500 VDC  
 Dielectric withstanding voltage: 1000 VAC / minute  
 Operating temperature: -55°C TO +105°C  
 Part no.

106 A E 78 F G I B B C 1  
 1 2 3 4 5 6 7 8 9 10 11

- SERIES NO.  
106 = D-SUB HDD 8.89\*2.54mm P.C.B. RIGHT ANGLE (MACHINED PIN)  
(D-SUB 高密度 90度PCB 車針)
- TYPE: A = Standard
- ENVIRONMENT PROTECTION  
MATERIAL:  
E = RoHS環保材料
- CONTACT NUMBER:  
78 = 78 PIN
- CONTACT TYPE:  
F = FEMALE (母)
- CONTACT AREA PLATING:  
G = GOLD FLASH (全金)  
R = 3"u GOLD (全金)  
A = 5"u GOLD (全金)  
C = 15"u GOLD (全金)  
D = 30"u GOLD (全金)
- SHELL PLATING:  
T = TIN (鍍錫)
- BRACKET OPTION:  
B = PLASTIC/BRACKET (有塑膠腳架)
- RIVET & BOARDLOCK OPTION  
B = FIXED W/BOARDLOCK(直鎖乙片)  
C = FIXED L-SHAPE(直鎖L片)
- PARTS OPTION  
C = FIXED SCREWS 4.8\*11.8mm (鎖4.8\*11.8mm螺絲)  
E = FIXED SCREWS 5.8\*11.8mm (鎖5.8\*11.8mm螺絲)
- INSULATOR COLOR  
1 = WHITE (白色)  
2 = BLUE (藍色)  
3 = BLACK (黑色)



RECOMMENDED P.C.B LAYOUT (TOP VIEW)  
 TOLERANCES: ±0.10mm

UNLESS OTHERWISE SPECIFIED TOLERANCE	
ANG.	±5°
0.	±0.5
.0	±0.3
.00	±0.2

亮泰 (中国) 有限公司  
 Lightany (China) Co., Ltd.

SCALE: As show UNIT: mm

DRAWN AVA 07/07/04

CHECKED WAN 07/07/04

APPROVED CHEN 07/07/04

DRAWN NAME:  
HDR 8.89\*2.54mm 90度車針, 78PIN, FEMALE(母), 有塑膠腳架, 直鎖乙片

PRODUCT NO. 106AE78FGTBBC1

FILE NAME: 106AE78FGTBBC1

A ECN-20040707001(TONY)

REV. DESCRIPTION

DATE



SIZE

A4

REV. A